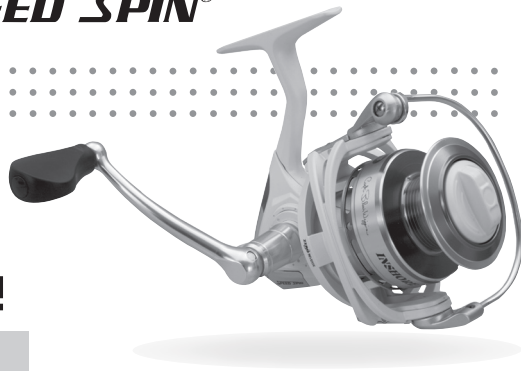




Capt. Blair Wiggins **INSHORE**
SPEED SPIN



BW25, BW35, BW40

**Driven by innovation –
Fueled with Passion**

Feel the Difference!

Reel Specifications

Model	Weight (oz.)	Line Capacity (yd./lb.)	Braid Capacity (yd./lb.)	Gear Ratio	RPT*
BW25	9.7	200/8	200/30	5.8:1	26.7"
BW35	10.2	190/10	190/40	5.8:1	28.3"
BW40	10.9	240/12	240/50	5.8:1	32.2"

*Recovery per turn.

FEATURES:

- Lightweight and rugged aluminum body with carbon sideplate
- Stainless steel 7-bearing system includes Zero Reverse® one-way clutch bearing
- Balanced skeletal graphite rotor
- Precision cut brass pinion gear
- Stainless steel mainshaft
- Oversized hardened aluminum bail
- Double anodized knurled aluminum spool
- Sealed carbon fiber drag
- Aluminum handle with Lew's® custom paddle knob
- Lew's Speed Lube for all weather performance
- Adjustable for right or left hand retrieve

ATTENTION BRAIDED LINE USERS!

If your Lew's Spinning reel has a knurled spool or rubber arbor (designed for tying braided line directly to the spool), you can tie braid directly to your spool using a uni-knot.

If your Lew's spinning reel does not have a knurled spool or rubber arbor, you will need to first tie on and spool at least 20 revolutions of monofilament line, with either a back-to-back uni-knot or an Albright knot.

Continue to spool your reel as normal, keeping strong tension on the line to ensure the line is firmly wound onto the spool to keep from "digging in" to underlying line layers when pressure is put on the line from fighting fish.

FAILURE TO PROPERLY SPOOL BRAIDED LINE ONTO YOUR REELS SPOOL WILL RESULT IN LINE SLIPPAGE, AND THE IMPRESSION YOUR DRAG IS NOT WORKING PROPERLY.

Maintenance and Care

While applying lubricant to your Speed Spin® reel, avoid using multi-purpose oil. Use lightweight silicone based oils or greases made for fishing reels. Apply oil to all bearings and the main shaft. Apply grease to the bushings, pinion gears and main gears.

After usage your reel should be inspected for dirt or sand and cleaned if excessive buildup is present. If your reel has come in contact with saltwater it is important to flush all parts with water, dry and re-lubricate your reel. Through diligent cleaning and maintenance your Lew's reel will provide you with years of reliability and sound performance.

One Year Limited Warranty

For Warranty information and registration go to lews.com

Lew's warrants its products¹ to withstand normal² use for the purpose designed and intended when manufactured for a period of one (1) year from the original retail sale date to the original retail consumer. Lew's will at its option repair or replace³ Lew's products when required for the warranty period and return⁴ the product to the owner at no additional⁵ cost to the owner.

¹Numerous products have been manufactured under variations of the Lew's name and under the Lew's Logo by multiple businesses over the past 50 years. This warranty is specifically for products manufactured on behalf of Lew's of Springfield, Missouri, USA since January 1, 2010. Lew's products manufactured by or on behalf of other entities prior to January 1, 2010 are not covered by this warranty. In all circumstances, this Warranty is Limited in Value to the original retail value of the product and is limited to actual damage to the Lew's product and only the Lew's product. ²Loss of a product, and loss/damage of a product or parts due to the attempted repair or servicing of a Lew's product by any person or business other than Lew's or Lew's Authorized Warranty Service Agent, and damage caused by or resulting from abuse, misuse, lack of recommended maintenance, accident, acts of God, and shipping damages occurring in transit to Lew's or Lew's Authorized Agent are outside the scope of Lew's Limited Warranty and will be repaired through Lew's after warranty services at the expense of the consumer. ³Any products replaced by Lew's will be new or remanufactured by a Lew's Authorized Agent with the same or next model upgrade product. ⁴Lew's will return warranted products to the consumer by reasonable means as determined by Lew's. ⁵Express or expedited services are the responsibility of the consumer as is sending the product to Lew's or Lew's Authorized Agent, for Warranty Service. Lew's and Lew's Service Agents as authorized by Lew's are the sole agents authorized to repair or replace Lew's products under the terms of this warranty. Only written changes by an officer of Lew's can alter the terms or conditions of this warranty.

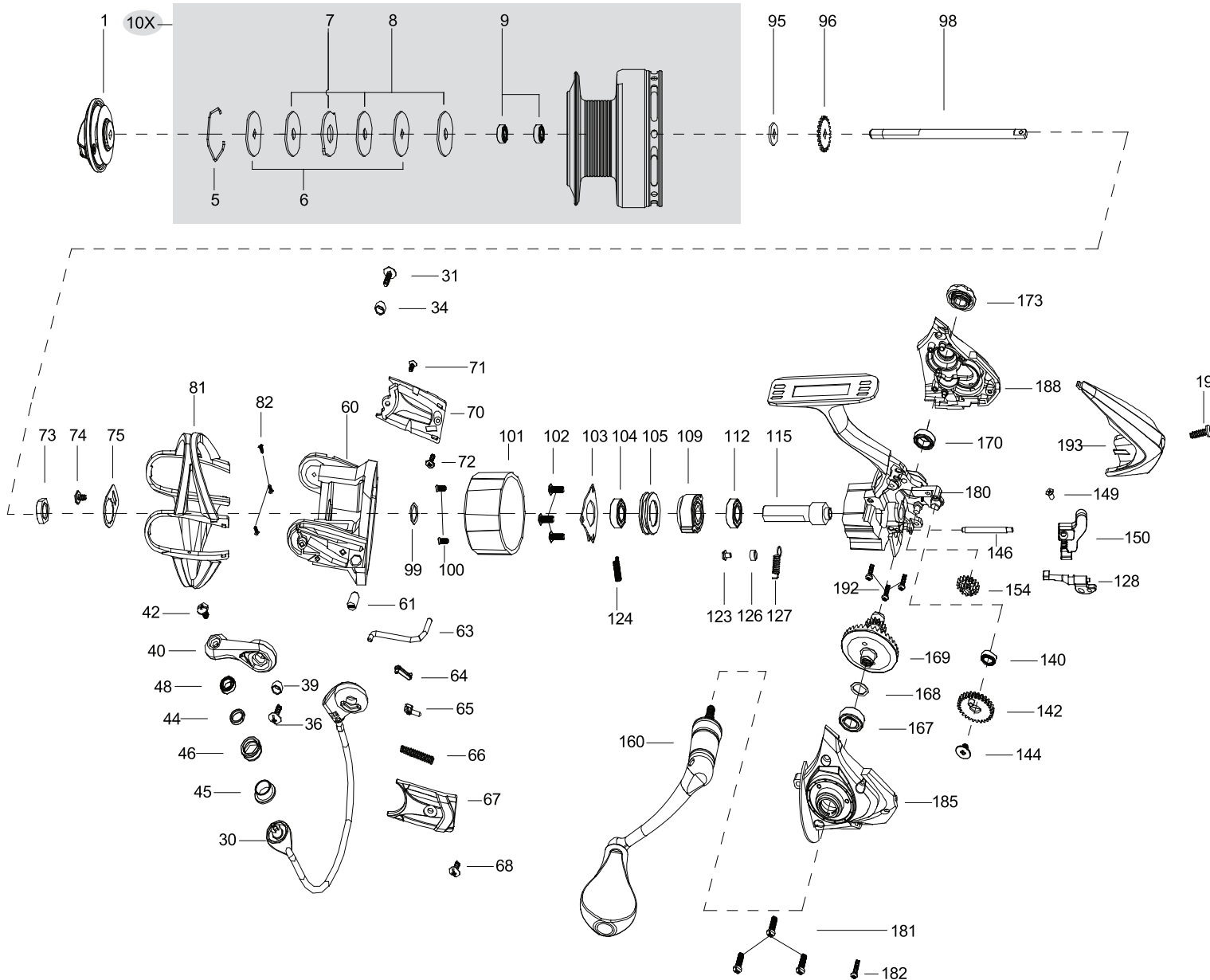
This warranty gives you specific legal rights including additional rights extended by some states which do not allow certain exclusions and limitations. Any action brought against Lew's for the purpose of settling a warranty dispute shall be brought and litigated in the State of Missouri, County of Greene.



Capt. Blair Wiggins

INSHORE SPEED SPIN[®]

BW25, BW35, BW40



KEY#	PARTS NAME	KEY#	PARTS NAME
1.	Drag Knob Assembly (FD)	99.	Rotor Shim
5.	Retainer Ring	100.	Body Head Cover Screw (2)
6.	Keyed Drag Washer (2)	101.	Body Head Cover
7.	Eared Drag Washer	102.	Bearing Cover Screw (3)
8.	Drag Washer (3)	103.	Bearing Cover
9.	Bushing (2)	104.	Bearing
10X.Spool Assembly		105.	Bearing Holder
30.	Bail Wire Assembly	109.	One-way Clutch Bearing
31.	Holder Screw	112.	Bearing (M3)
34.	Holder Bushing	115.	Pinion Gear
36.	Bail Arm Screw	123.	A/R Stud Screw
39.	Bail Arm Bushing	124.	A/R Pawl Spring
40.	Bail Arm	126.	A/R Stem Seal Ring
42.	Bail Screw	127.	A/R Stem Spring
44.	Line Roller Spacer	128.	A/R Lever
45.	Line Roller Bushing	140.	Oscillation Gear Bearing
46.	Line Roller	142.	Oscillation Gear
48.	Line Roller Bearing	144.	Oscillation Gear Screw
60.	Rotor	146.	Slider Guide Pin
61.	Balance Block	149.	Slider Shaft Screw
63.	Trip Bar	150.	Slider
64.	Trip Linkage	154.	Reduction Gear
65.	Bail Slider	160.	Crank Handle
66.	Bail Spring	167.	Bearing (C1)
67.	Rotor Cover (A)	168.	Shim Washer
68.	Rotor Cover Screw (A1)	169.	Drive Gear
70.	Rotor Cover (H)	170.	Bearing (C2)
71.	Rotor Cover Screw (H1)	173.	Handle Cap
72.	Rotor Cover Screw (H2)	180.	Body
73.	Rotor Nut	181.	Body Sideplate Screw (L1)
74.	Rotor Lock Screw	182.	Body Sideplate Screw (L2)
75.	Rotor Nut Retainer	185.	Body Sideplate (L)
81.	Rotor Trim	188.	Body Sideplate (R)
82.	Rotor Trim Screw (3)	192.	Body Sideplate Screw (R1)
95.	Stack Washer	193.	Rear Cover Trim
96.	Click Ring/Gear	194.	Rear Cover Trim Screw (A)
98.	Main Shaft		

For professional cleaning and maintenance send your reel postage prepaid to:
 Lew's Speed Services
 3031 N. Martin
 Springfield, MO 65803
 Phone: 877-470-5397
 FAX: 1-417-881-5387
 lews.com

